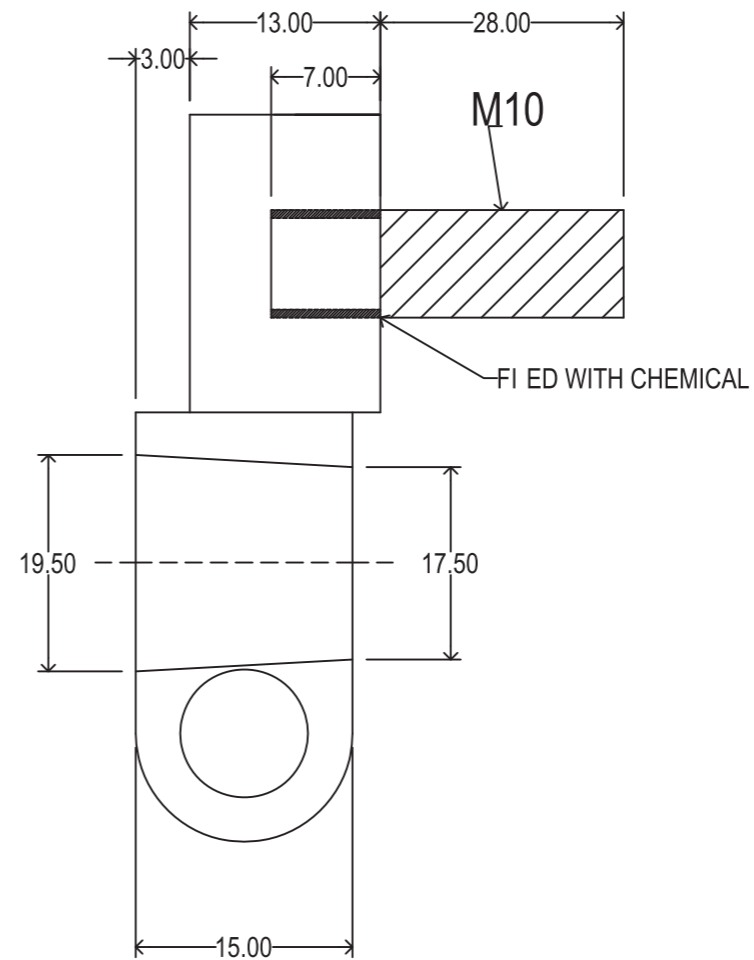
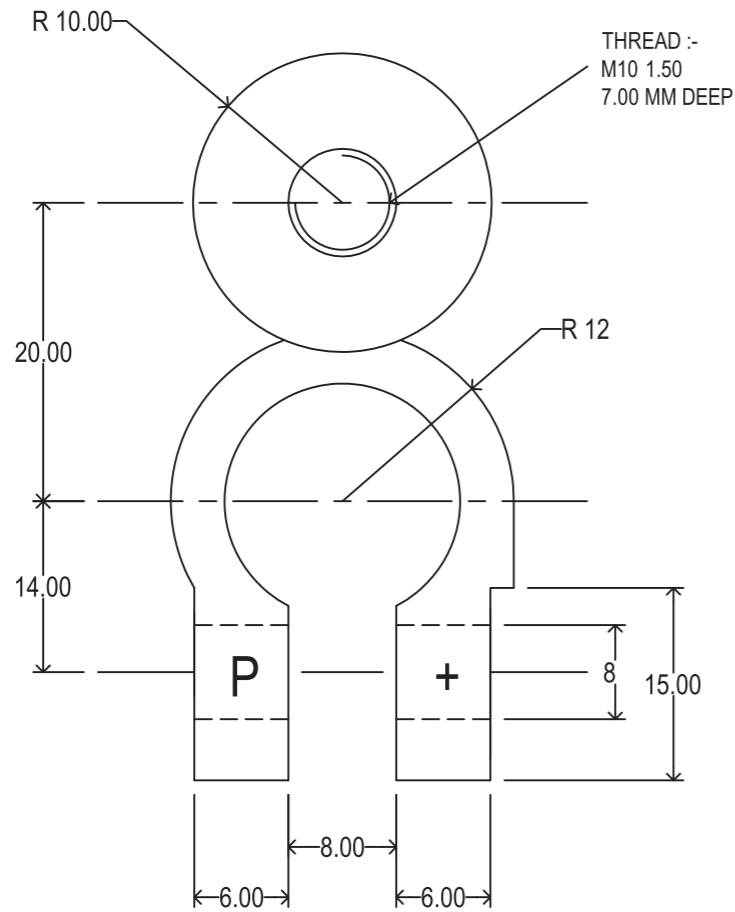


MATERIAL :- BRASS
ALLOY :-
TREATMENT :- DULL TIN PLATING
B CODE :- 78
B APPROVAL SIGN:- APD
ADDITIONAL REQUIREMENTS :- N/A
ROHS REQUIRED :- YES
DESIGN DATE:- 13.11.14



FASTNERDETAIL

- 1 1PCS - M8 30 D SHAPE BOLT .
- 2 1PCS - M8 NUT
- 3 1PCS - M10 35 STUD W/O HEAD
- 4 1PCS - M10 NUT
- 4 1PCS - M10 DIS PLATE

PLATINGDETAIL

- 1 FASTNER :- DULL TIN
- 2 TERMINAL :- DULL TIN

<p>GENERAL NOTES & TOLERANCE AS PER ISO 2768 - 1 1989</p> <p>1. UNLESS OTHERWISE STATED, ALL DIMENSIONS ARE IN <u>INCHES</u>.</p> <p>2. REMOVE ALL BURRS AND SHARP EDGES.</p> <p>3. TOLERANCE FOR DIMENSIONS.</p> <p>4. CLASS OF DEVIATIONS :- <u>MEDIUM</u>.</p> <p>5. BELOW TOLERANCE ARE FOR TURN COMPONENTS. <u>DO NOT USE THIS TOLERANCE ON CAST PRODUCT, OR FORGED PRODUCT.</u></p> <p>6. FOR <u>CRITICAL / IMPORTANT</u> DIMENSION USE ELLIPSES SIGN.</p> <p>7. MULTIPLY INCHES X 25.4 = MILLIMETER (MM)</p>										<p>GENERAL NOTES & TOLERANCE AS PER ISO 2768 - 1 1989</p> <p>1. UNLESS OTHERWISE STATED, ALL DIMENSIONS ARE IN <u>MM</u>.</p> <p>2. REMOVE ALL BURRS AND SHARP EDGES.</p> <p>3. TOLERANCE FOR DIMENSIONS.</p> <p>4. CLASS OF DEVIATIONS :- <u>MEDIUM</u>.</p> <p>5. BELOW TOLERANCE ARE FOR TURN COMPONENTS. <u>DO NOT USE THIS TOLERANCE ON CAST PRODUCT, OR FORGED PRODUCT.</u></p> <p>6. FOR <u>CRITICAL / IMPORTANT</u> DIMENSION USE ELLIPSES SIGN.</p> <p>7. MULTIPLY MILLIMETERS (MM) X 0.03937 = INCHES</p> <p>8. DIVIDE MILLIMETERS BY 25.4 = INCHES</p>									
PERMISSIBLE DEVIATIONS IN MM FOR RANGES IN NOMINAL LENGTHS			PERMISSIBLE DEVIATIONS IN MM FOR RANGES IN NOMINAL LENGTHS			PERMISSIBLE DEVIATIONS IN MM FOR RANGES IN NOMINAL LENGTHS			PERMISSIBLE DEVIATIONS IN MM FOR RANGES IN NOMINAL LENGTHS			PERMISSIBLE DEVIATIONS IN MM FOR RANGES IN NOMINAL LENGTHS			PERMISSIBLE DEVIATIONS IN MM FOR RANGES IN NOMINAL LENGTHS				
EXTERNAL RADIUS CHAMFER HEIGHT			LINEAR AND DIAMETRAL DIMENSIONS			ANGULAR DIMENSIONS LENGTH OF SHORTER SIZE			EXTERNAL RADIUS CHAMFER HEIGHT			LINEAR AND DIAMETRAL DIMENSIONS			ANGULAR DIMENSIONS LENGTH OF SHORTER SIZE				
0.0196	0.1191	0.2362	0.0118	0.2785	1.2204	4.7637	0.00	0.4330	2.0076	0.50	3.00	6.00	0.30	7.00	31.00	121.00	0.00	11.00	51.00
0.1191	0.2362	0.3937	0.2362	1.1611	4.7244	4.7637	0.3937	1.9685	4.7244	3.00	6.00	10.00	6.00	30.00	120.00	120.00	10.00	50.00	120.00
±0.0078	±0.0196	±0.0393	±0.0039	±0.0078	±0.0118	±0.0196	±0.1"	±0.0730"	±0.0730"	±0.20	±0.50	±1.00	±0.10	±0.20	±0.30	±0.50	±1.1"	±0.0730"	±0.0730"

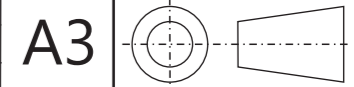
Article number: 68061100

Tolerances: linear ±0.2mm
Angular ±0.5°

Battery terminal with M10 thread positive D



Material:	Units: mm
Scale: 1:1	Checked:
Drawn: hFd	Date: 14/10/15



Drawing: 10000010513_00